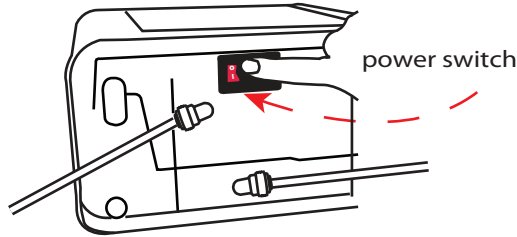


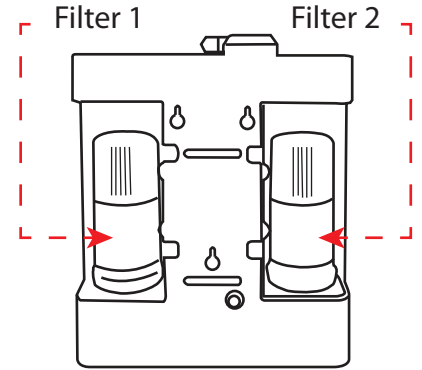
1 Turn power off

Turn off power to the ionizer by pressing the circle side of the power switch located at the bottom of the ionizer.



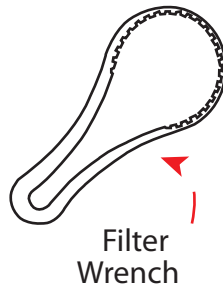
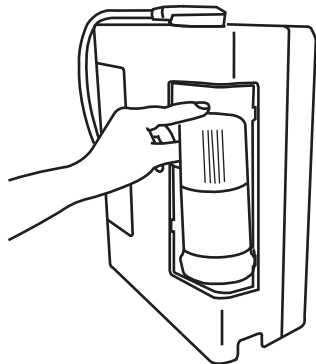
2 Remove cover

Remove the filter cover for the filter you would like to change.



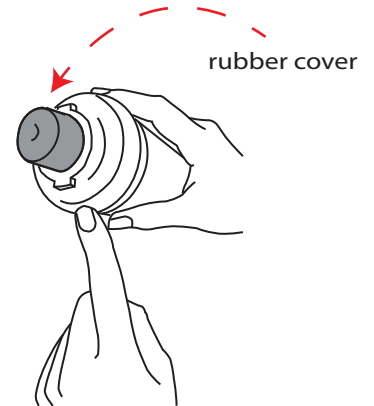
3 Remove filter

Slide the provided filter wrench over the filter you would like to change and turn the filter counter clockwise to release it out of the socket. Pull up on the filter to remove it from the ionizer.



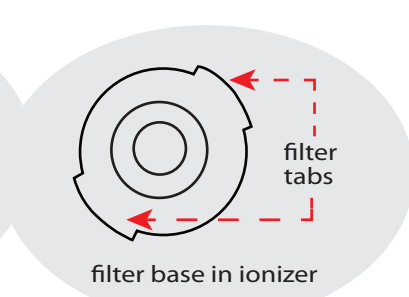
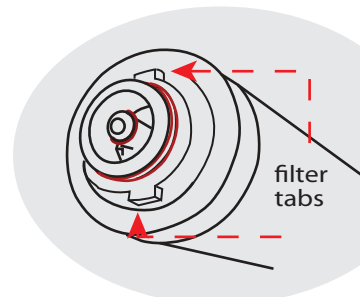
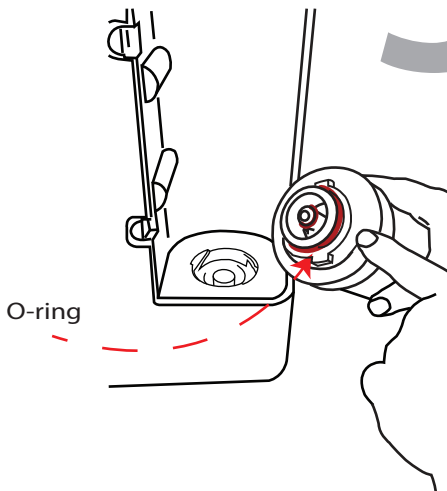
4 Prepare filter

Remove the clear plastic packaging and rubber cover from the bottom of the filter.



5 Lubricate O-ring

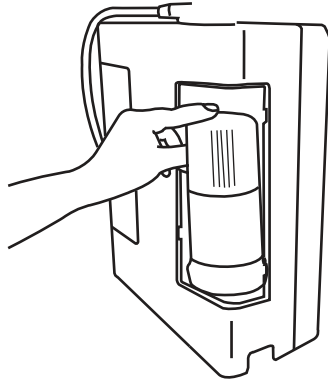
Before installing the filter, lube up the large outer O-ring with either olive oil or vaseline. Line up the 2 tabs on the filter to the filter base in the ionizer.



6

Insert filter

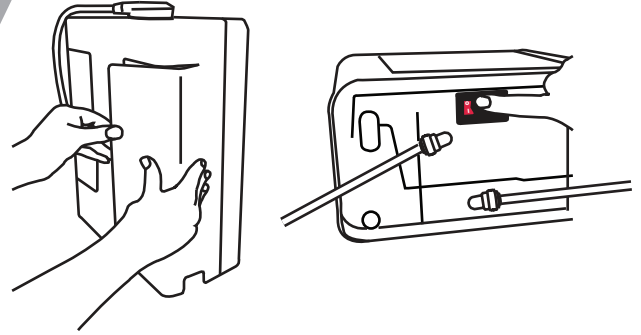
Once you have aligned the tabs on the filter with the ionizer, press down and twist the filter clockwise until it stops.



7

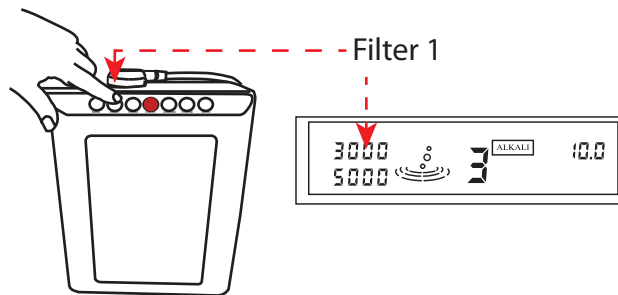
Reinstall cover

Replace the cover and turn the power switch back on.

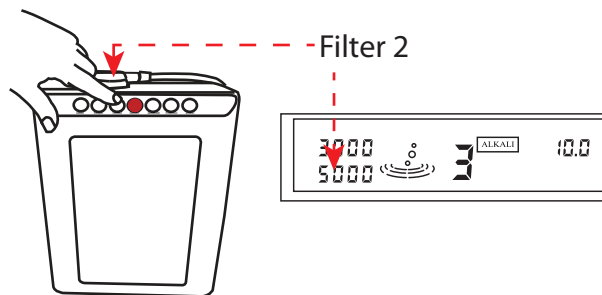


8

Reset Filter Counter



After changing the first filter, press and hold the **"FILTER 1"** button for 10 seconds. You will hear 2 beeps and the filter counter indicator will reset to 3000.



After changing the second filter, press and hold the **"FILTER 2"** button for 10 seconds. You will hear 2 beeps and the filter counter indicator will reset to 5000.

Final Steps

- Press the **POWER** button
- Select the "Purified Water" setting and let the water run for 2-3 minutes
- Check for leaks
- The filter replacement is finished!